

Fig. 1  
2-Wire RS-485 Connections

Figure 1 applies to many Ethernet/Serial Servers and a few B&B RS-485 Converters such as the 485SD9TB, 485LPRJ, 485SD9R, 485SD9RJ.

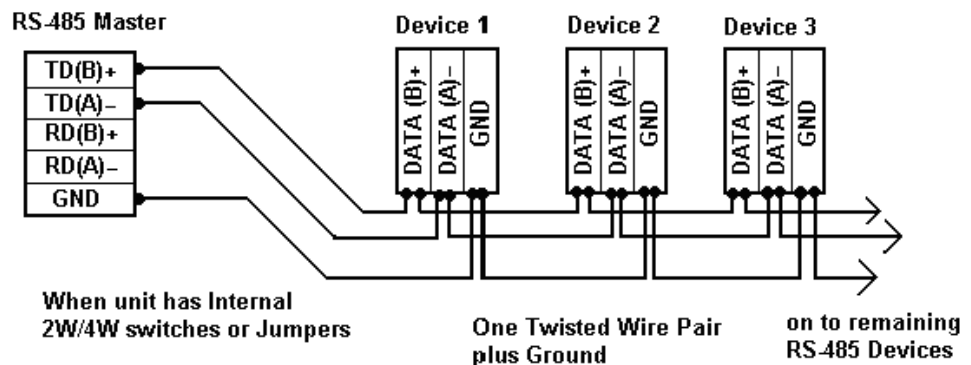


Fig. 2  
2-Wire RS-485 Connections

Figure 2 applies to several B&B Converter models such as the 485DRC, 485LDRC, 485LDRC9, 489OT9L, 485OTLED and 4WSD9R. Two switches are set for 2W or to the 2-Wire RS-485 Mode.

